

## PWM24 1CV-PC

12-24V Dimmable constant voltage TRIAC interface

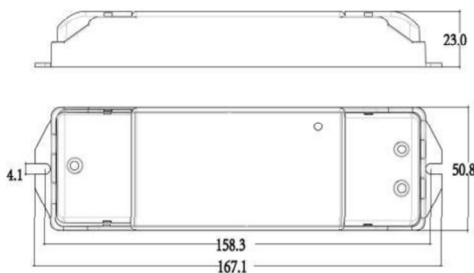
- TRIAC extension unit for constant voltage LED Driver.
- No flicker.
- Included power LED to indicate current status through interface.
- 10-100% Dimming Range.
- Works with 12-24V constant voltage Drivers
- Suitable for Class I, II or SELV fixtures and independent use.
- Supports 180W max (for 12V) & 360W max (for 24V).
- Single channel output ~ 15A Max
- Overload Protection, over temperature & short circuit protection.



### Basic Parameters

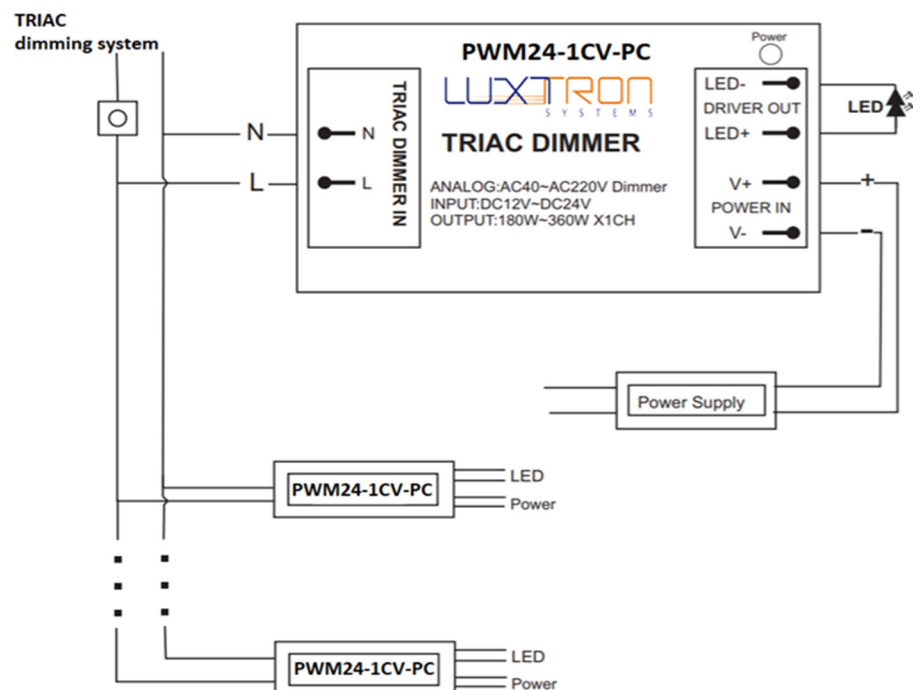
Parameter	Details	Unit
I/P Voltage	12-24V DC	Vdc
Dimming Voltage	40-220V AC	V
Output Power (Pout) – for 12V	180	W
Output Power (Pout) – for 24V	360	W
Output Current (Iout)	15A max	A
Ambient Temp (ta)	-20 to +50	°C

### Physical Parameters



L: 167.1mm    H: 23.0mm  
M: 158.3mm    W: 50.8mm

### Wiring Diagram



### **Description and Installation Procedure**

- The installation must be carried out in accordance with international and national standards by a qualified electrician only.
- The PWM24 1CV-PC units are intended for use with LED requiring a constant voltage of 12-24VDC only.
- Careful attention must be paid to polarity when connecting the +/- terminals.
- The PWM24V 1CV-PC units contain an internal overload / short-circuit protection. In case of overload or short circuit on secondary side the device will cut off automatically. As soon as the defect has been repaired unit will restart automatically.
- When working on the LED system it must be separated from mains. For RFI protection mains and secondary wires have to be installed free of intersection.
- PWM units mounted outside of luminaries are to be screwed tightly on suitable surface by using their screw holes and attention has to be paid to fastening primary and secondary lines securely by strain relief.
- The PWM units do not contains any serviceable components and must not be opened.

Parameter	PWM 24V 1CV-PC
I/P Voltage	12-24V DC
Output Current	15A max
Output Channels	One
Wire Size	0.5-1.5 sqmm /AWG 22-14 (Bare wire end: 6mm)
Protection Class	II