

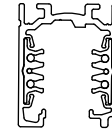
*One family
many possibilities!*

SPYRO ONETRACK

LUXTRON

S Y S T E M S

New innovations and solutions



Made for A.A.G. Stucchi OneTrack



Chip On-Board technology from

CITIZEN

Electronic control gear from

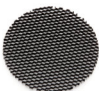
Helvar

Intrack adaptor from
A.A.G. Stucchi, Italy



Simplicity meets Reliability!

Technical Data

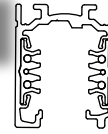
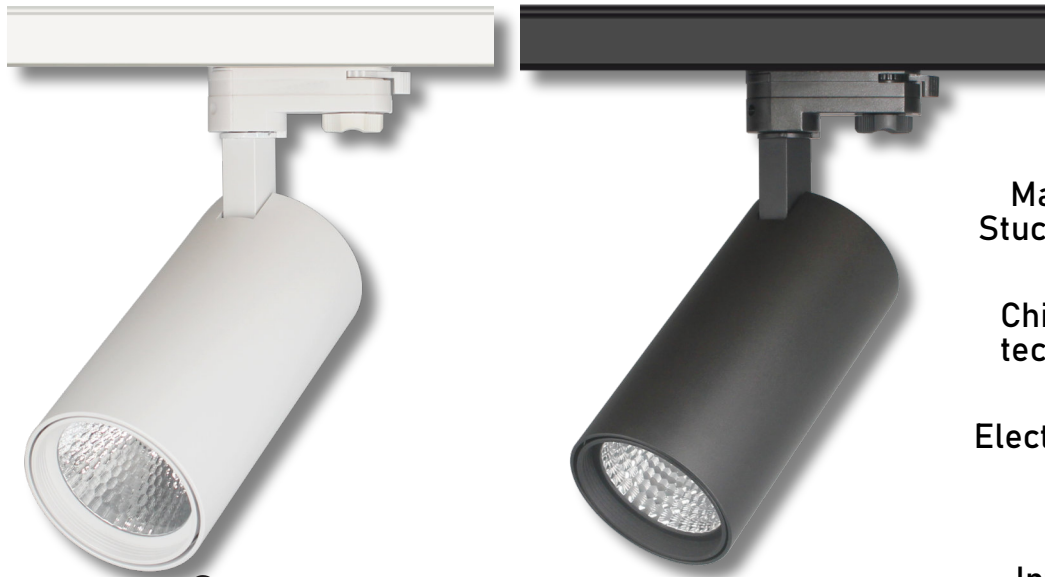
Wattage options	10W 15W 20W
Input Voltage	220 - 240 V 50 - 60 Hz
Beam Angle	20° / 38° / 60°
Optic System options	PC Reflector
Luminous Flux	1500 lumens @ 15W > 100 lm / W
Color Temperature	3000 / 4000K others available on request
Color Rendering Index	80 / 90 CRI97 on request
Dimming Protocols	DALI-2 / Wireless others available on request
Dimensions	D85 H170 mm
Accessories (honeycomb)	
IP Rating	IP 20 rated

Salient features

- Sleek spot with neutral design and reliable performance.
- Available in 20W or lesser
- Made specially for **OneTrack System from A.A.G. Stucchi, Italy**
- Various dimming options i.e. DALI-2 / Wireless / 1-10V.
Electronic controlgear from Helvar, Finland or A.A.G. Stucchi, Italy
- **Mounting options include (for the family):** Track, Surface or Recessed mounting
- High CRI up to CRI 80 or 90. **COB technology from Citizen, Japan**
- Color temperature options: 3000, 4000K. Others available on request.
- Can rotate up to 90° angle in horizontal plane and 360° in vertical plane.

SPYRO ONETRACK

dimensions



Made for A.A.G. Stucchi OneTrack



Chip On-Board technology from

CITIZEN

Electronic control gear from

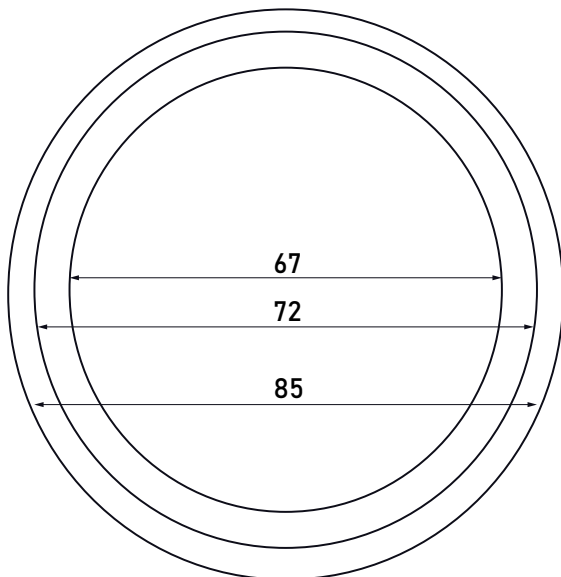
Helvar

Simplicity meets Reliability!

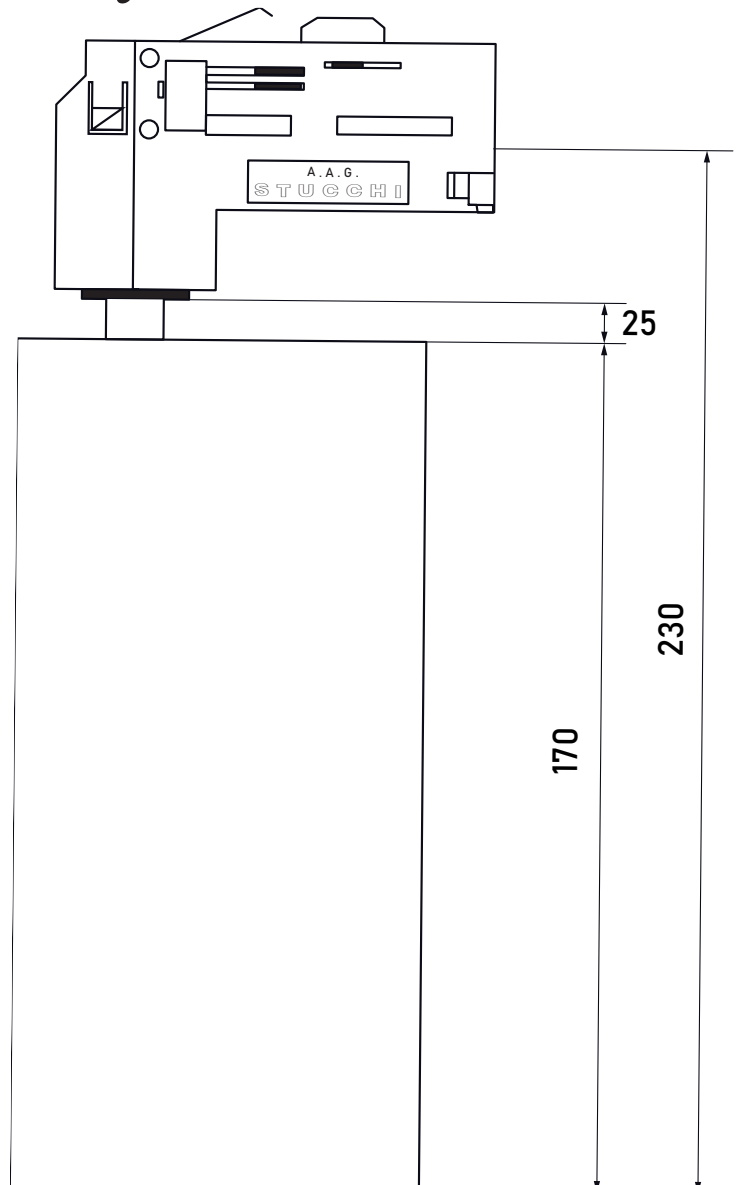
Intrack adaptor from A.A.G. Stucchi, Italy



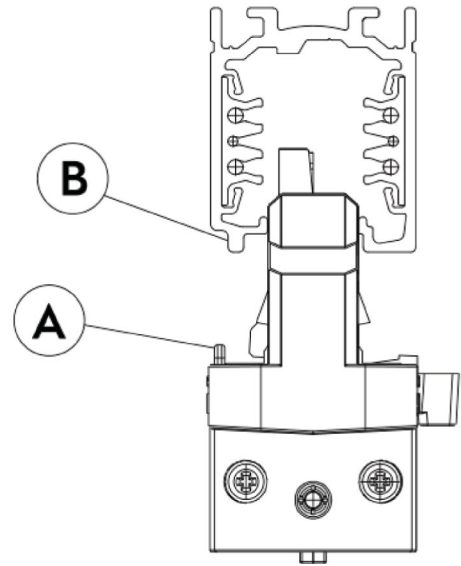
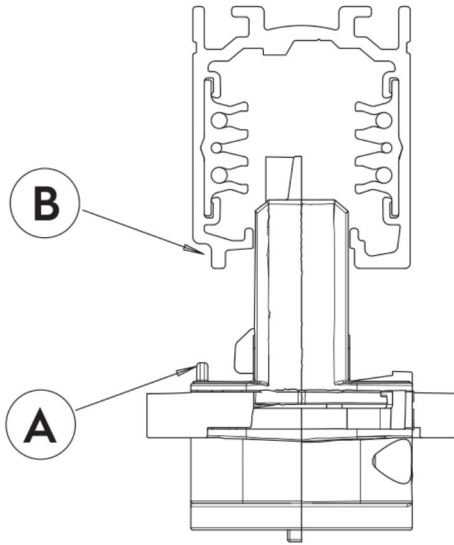
Dimensions are in mm



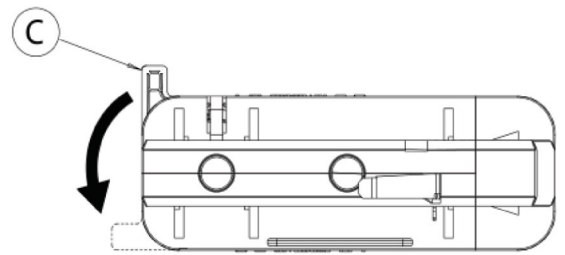
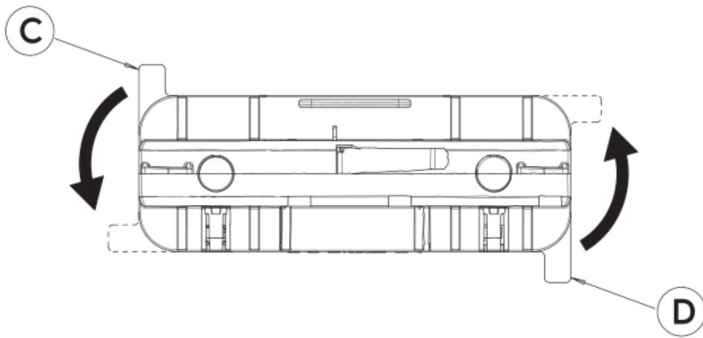
Dimensions are in mm. Please note dimensions of light output rim are diameter values.



1. Insert the adapter into the track, so that the mechanical key (A) in the adaptor matches the groove (B) in the track.



2. Rotate of about 90° the levers of the two cams (C & D) until they are securely locked into the track. Some models might have only one cam depending on dimming protocols chosen.



3. When the track is connected to a three-phase system, it is possible to select the phase the phase can be selected (L1, L2 or L3) to distribute power to single luminaires in the system.

4. This phase selection is done by the selector (A) of the adaptor.

5. The phase selector must be switched on only during the installation by skilled personnel.

