

LUXTRON
SYSTEMS

SOLAR 95

"Spyro's
little
BROTHER"



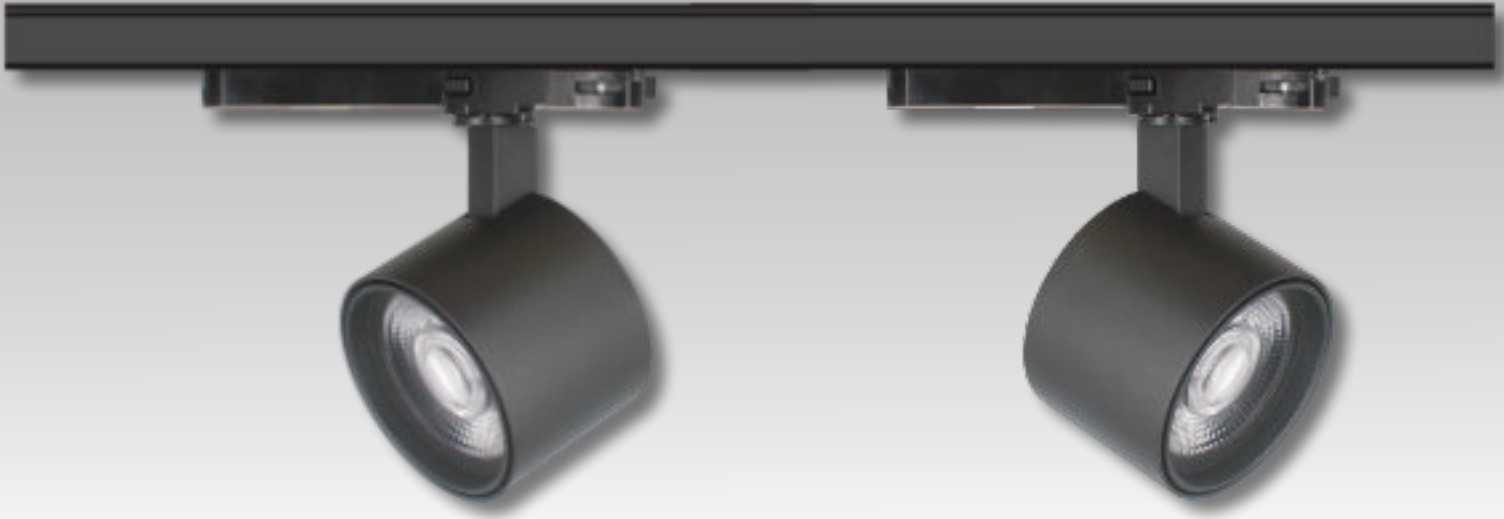
Light up your surroundings with SOLAR!

Like the sun, our SOLAR spot's main function is to be small and effective. Small sizes in 3 phase systems are not very common and this makes our very own SOLAR to be unique.

Barely noticeable when fixed on a track gives a very minimalistic look. Armed with different mounting & configuration options depending on site requirements, SOLAR presents itself as your ideal companion for functional or accent lighting in retail, architectural & business spaces.

SOLAR

Spotlight family

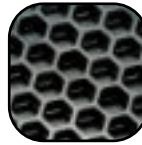


10 W
15 W

DALI
WIRELESS
1-10 V / Phase-Dim

High
CRI

INPUT
220-240V
50-60 Hz



AAG Stucchi
ONETRACK

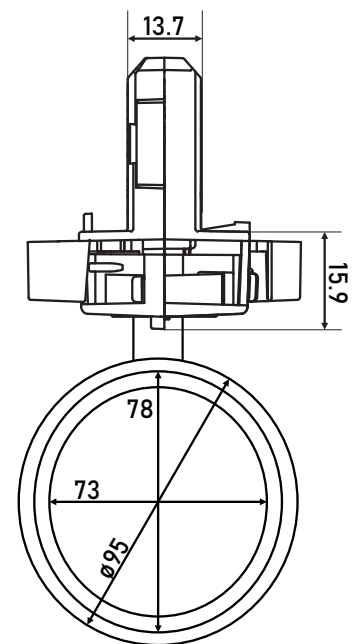
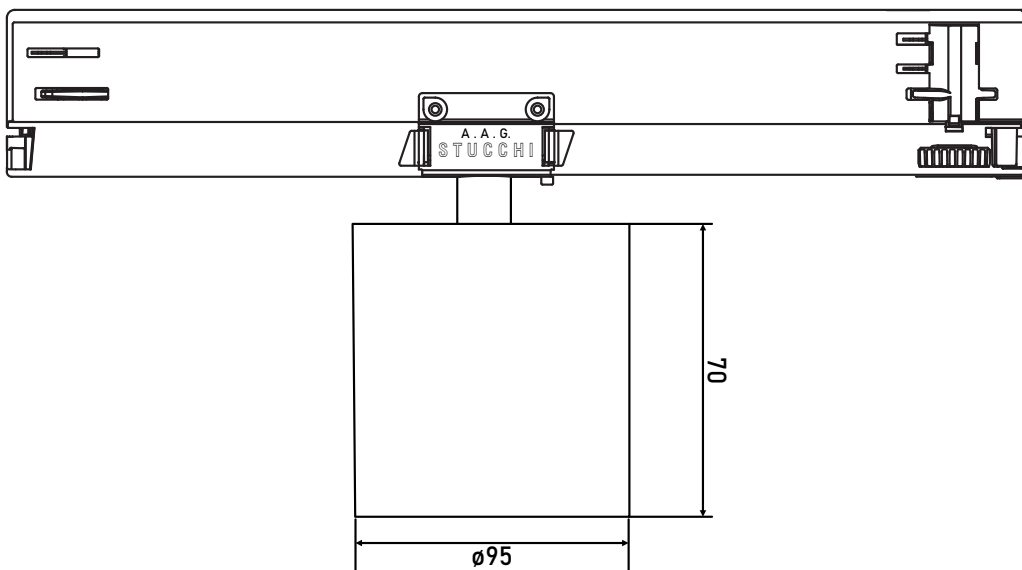
CRI > 80
CRI > 90
CRI > 97

15°
24° / 38°
60°

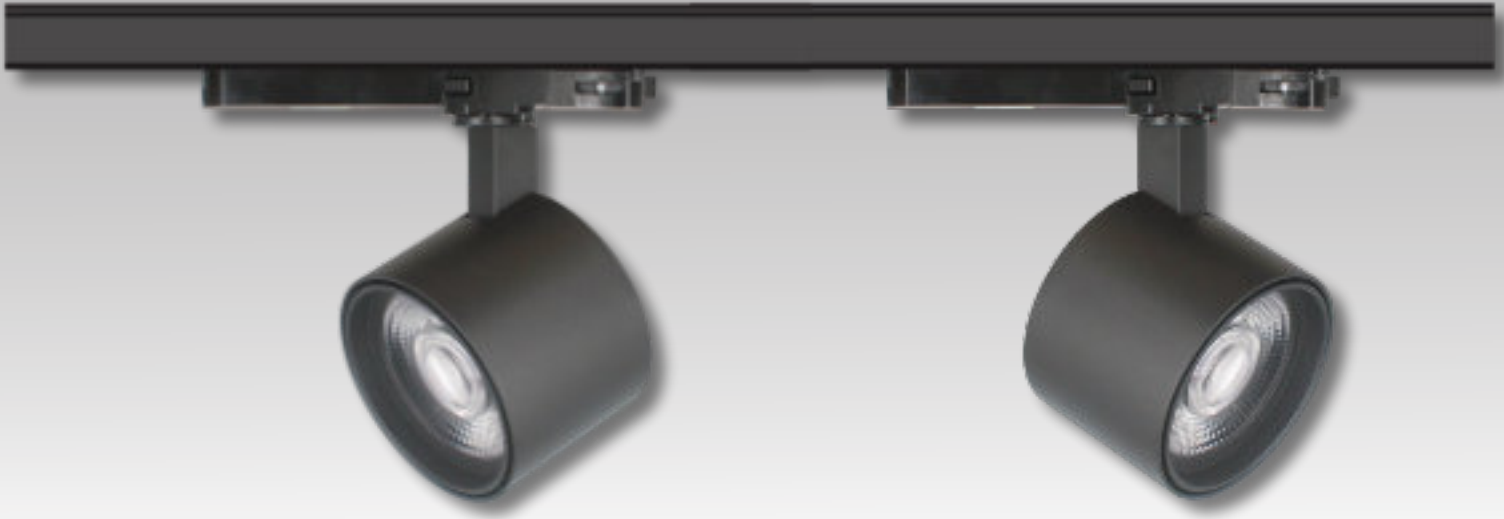
- High CRI up to CRI 97 VIVID with Mac Adam Step 2 provision. (CRI 90 is standard)
- Installation on 3 phase track, recessed or surface mount options.
- Compatible with **ONETRACK system from A.A.G. Stucchi, Italy.**
- Interchangeable reflectors accompanied with highly efficient LED source & uniform distribution.

- Can rotate up to 90° angle in horizontal plane and 360° in vertical plane.
- Spot built in with electronic controlgear which allows direct 220/240 V input.
- Possibility to accommodate different range of CCTs.



Smaller dims but no compromises




Dimensions are in mm.
Please note dimensions of light output rim are diameter values.



Technical Data

Load Wattage 10 W 15 W	Input Voltage INPUT 220-240V 50-60 Hz	Dimming Protocols DALI 1-10 V WIRELESS	Color Temperature ● 3000 K ● 4000 K others available on request	CRI CRI > 80 CRI > 90 CRI > 97	Beam Angle 15° 24° / 38° 60°
Lumen Output 1000 lumens @ 10 W 1500 lumens @ 15 W (± 200)		Weight  ~ 1.0 kg	Honeycomb 	Dimensions D 95 H 70 mm	

Ordering Code

(1) Prefix SPYRO ONETRACK	(2) Load Wattage 10 W 15 W	(3) Color Temperature ● 303 (3000K) ● 403 (4000K)	(4) Color ● Black ○ White	(5) Beam Angle 15° 24° / 38° 60°	(6) Honeycomb (H) 	(7) Dimming Protocols DALI WIRELESS
--	---	--	--	--	---	--

Examples

SOLAR-95/10/303/B/15/DALI
 10 W, 3000K@CRI80, Black color, 15°, DALI

SOLAR-95/15/403/W/38@H/WIRELESS
 15 W, 4000K@CRI80, White color, 38° with Honeycomb, WIRELESS

SOLAR-95/15/273@90/W/60@H
 15 W, 2700K@CRI90, White color, 60° with Honeycomb, ON-OFF

SOLAR-95/10/303@90/B/24/DALI
 10 W, 3000K@CRI90, Black color, 24°, DALI