

PWM24 1CV-AN

12-24V Dimmable constant voltage Analogue LED Driver Extension



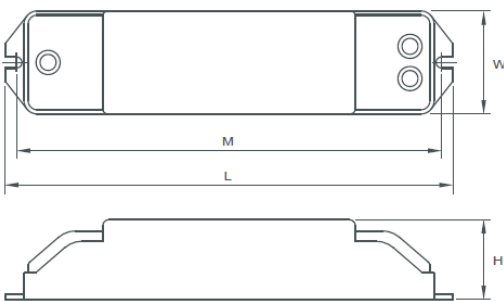
- Analogue extension unit for constant voltage LED Driver.
- Analogue Control Input, 1-100% Dimming Range.
- Works with 12-24V constant voltage Drivers
- Suitable for Class I, II or SELV fixtures and independent use.
- Analogue Input is Double Insulated to avoid any interference.
- Control Input: 1-10Vdc.
- Overload Protection



Basic Parameters

Parameter	Condition	Details	Details	Unit
I/P Voltage		12	24	Vdc
I/P Frequency		0	0	Hz
Input Current (Iin)	25°C, nominal input	4.4	4.4	A
Output Power (Pout)	25°C, nominal input	50	100	W
Output voltage (Vout)	25°C, nominal input	12	24	Vdc
Output Current (Iout)		4.2	4.2	A
Dimmer		1-10V	1-10V	Vdc
Ambient Temp (ta)		-20 to +50	-20 to +50	°C
Critical Temp (tc)		70	70	°C

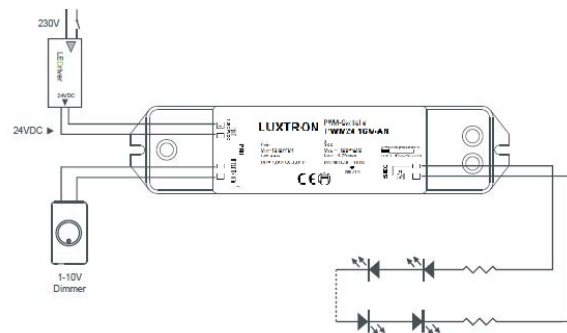
Physical Parameters



L : 167.0mm
M : 158.6mm

H : 29.3mm
W : 38.4mm

Wiring Diagram



Terminal Block : Screw Terminal
Wire Size : 0.75 to 1.5mm²
Housing Material : Polycarbonate
Soldering : Lead Free, RoHS
Label : Surface Print

Luxtron | Data is subject to change without notice. More information at www.luxtron.net