

## PWM24 1CV-AN

12-24V Dimmable constant voltage Analogue LED Driver Extension



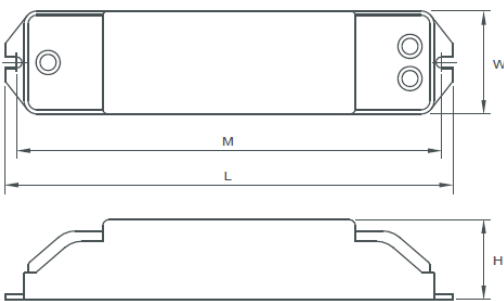
- Analogue extension unit for constant voltage LED Driver.
- Analogue Control Input, 1-100% Dimming Range.
- Works with 12-24V constant voltage Drivers
- Suitable for Class I, II or SELV fixtures and independent use.
- Analogue Input is Double Insulated to avoid any interference.
- Control Input: 1-10Vdc.
- Overload Protection



### Basic Parameters

Parameter	Condition	Details	Details	Unit
I/P Voltage		12	24	Vdc
I/P Frequency		0	0	Hz
Input Current (Iin)	25°C, nominal input	4.4	4.4	A
Output Power (Pout)	25°C, nominal input	50	100	W
Output voltage (Vout)	25°C, nominal input	12	24	Vdc
Output Current (Iout)		4.2	4.2	A
Dimmer		1-10V	1-10V	Vdc
Ambient Temp (ta)		-20 to +50	-20 to +50	°C
Critical Temp (tc)		70	70	°C

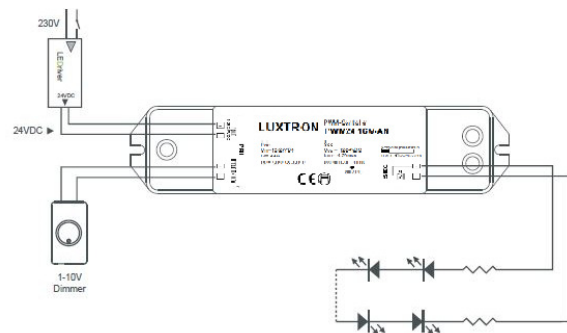
### Physical Parameters



L : 167.0mm  
M : 158.6mm

H : 29.3mm  
W : 38.4mm

### Wiring Diagram



Terminal Block : Screw Terminal  
Wire Size : 0.75 to 1.5mm<sup>2</sup>  
Housing Material : Polycarbonate  
Soldering : Lead Free, RoHS  
Label : Surface Print

Luxtron | Data is subject to change without notice. More information at [www.luxtron.net](http://www.luxtron.net)

**Description and Installation Procedure**

The installation must be carried out in accordance with international and national standards by a qualified electrician only.

The PWM24 1CV-AN units are intended for use with LED requiring a constant voltage of 12-24VDC only and designed to support different luminaire classifications, like Class I or Class II fittings (no earth required).

**Careful attention must be paid to polarity when connecting the +/- terminals.**

The PWM24V 1CV-AN units contain an internal overload / short-circuit protection. In case of overload or short circuit on secondary side the device will cut off and as soon as the defect has been repaired unit will restart automatically.

When working on the LED system it must be separated from mains. For RFI protection mains and secondary wires have to be installed free of intersection.

PWM24 1CV-AN units mounted outside of luminaries are to be screwed tightly on suitable surface by using their screw holes and attention has to be paid to fastening primary and secondary lines securely by strain relief.

PWM24 1CV-AN units do not contain any serviceable components and must not be opened.

**Installation & operational considerations****Maximum Tc temperature**

- Reliable operation & lifetime is only guaranteed if the maximum Tc point temperature is not exceeded under conditions of use.

**Installation site**

- Ensure that the LED driver does not exceed temperature higher than specified on the product datasheets.
- The general preferred installation position of LED drivers for independent use is to have the top cover facing upwards.

Parameter	PWM 24V 1CV-AN
I/P Voltage	12-24V DC
I/P Current	Max. 4.4A
Output Channels	PWM Signal Const. 12-24V/ max 4.2A
Control Input	1-10V/0.2mA
Wire Size	0.5-1.5 sqmm /AWG 22-14 (Bare wire end: 6mm)
Protection Class	II

Luxtron | Data is subject to change without notice. More information at [www.luxtron.net](http://www.luxtron.net)